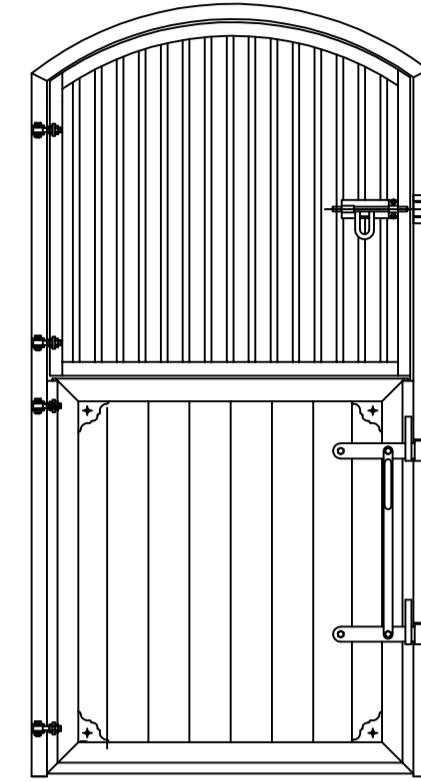
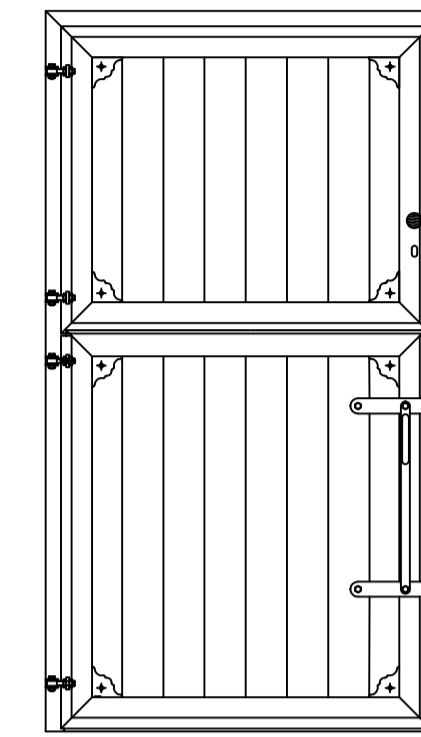


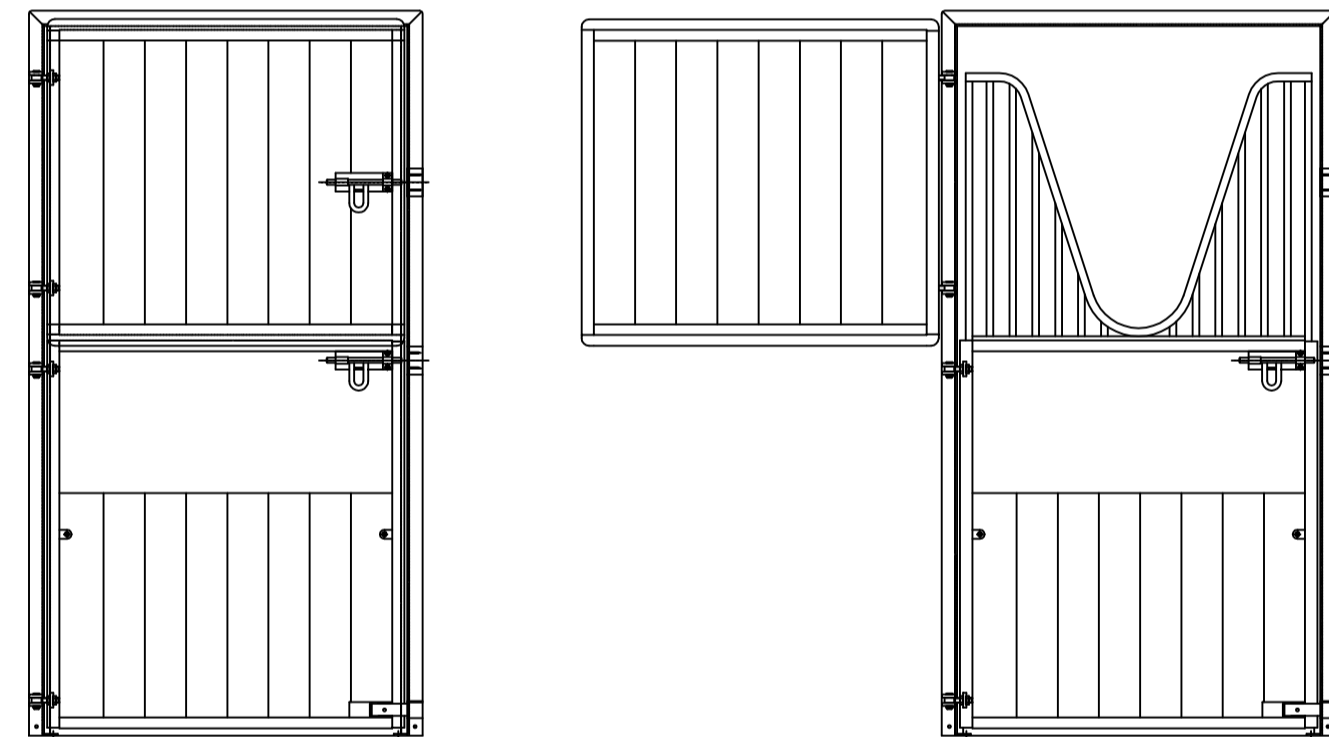
ARCHED TOP NEWMARKET DOOR REF RB1



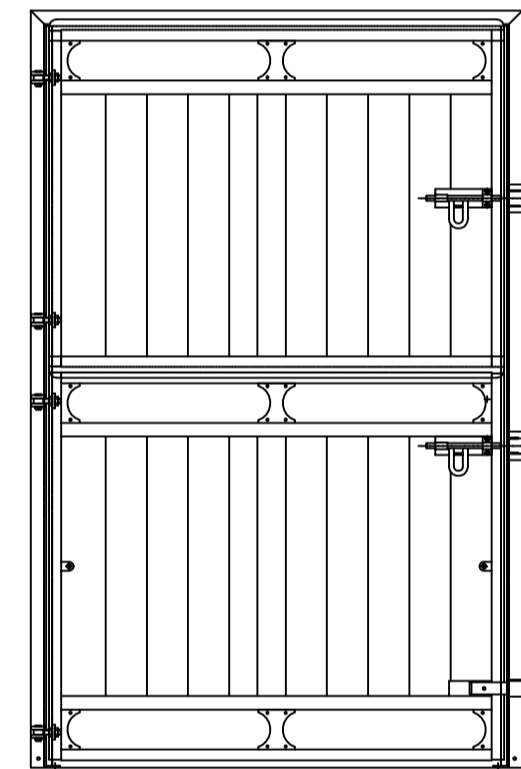
ARCHED GRILL TOP NEWMARKET DOOR REF RB2



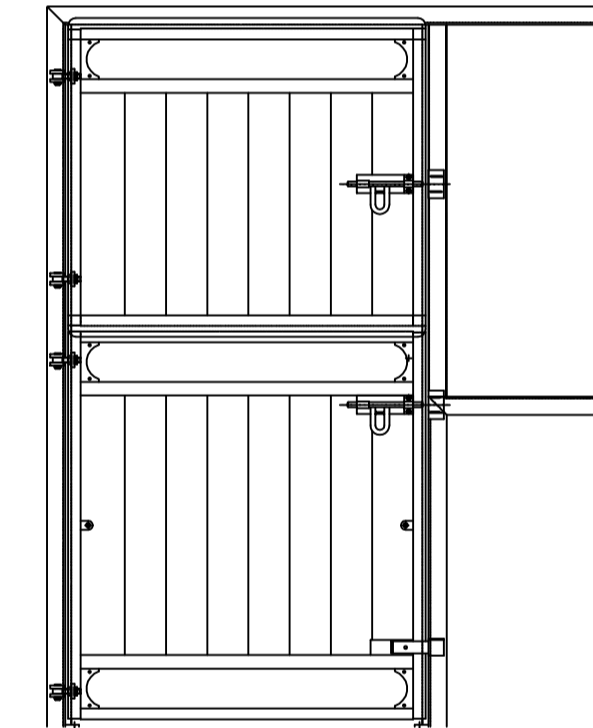
SOLID NEWMARKET DOOR REF RB3



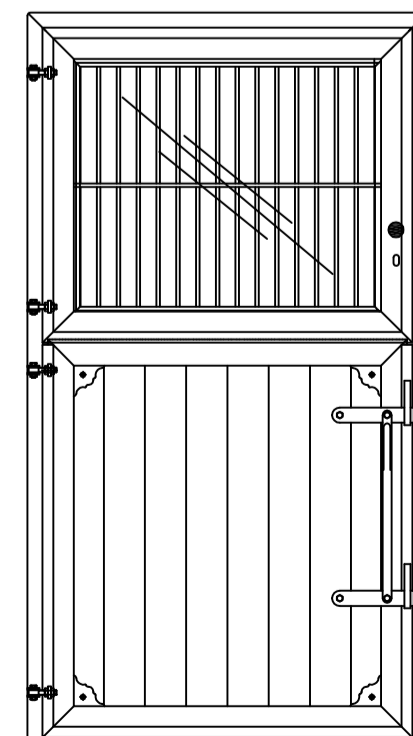
CLASSIC EXTERNAL DOOR WITH ANTI WEAVE REF RB4



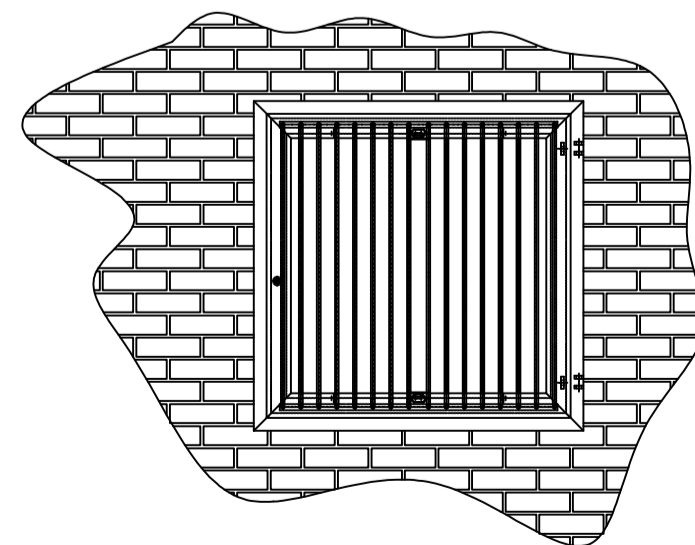
HORIZONTAL BOARD EXTERNAL DOOR REF RB5



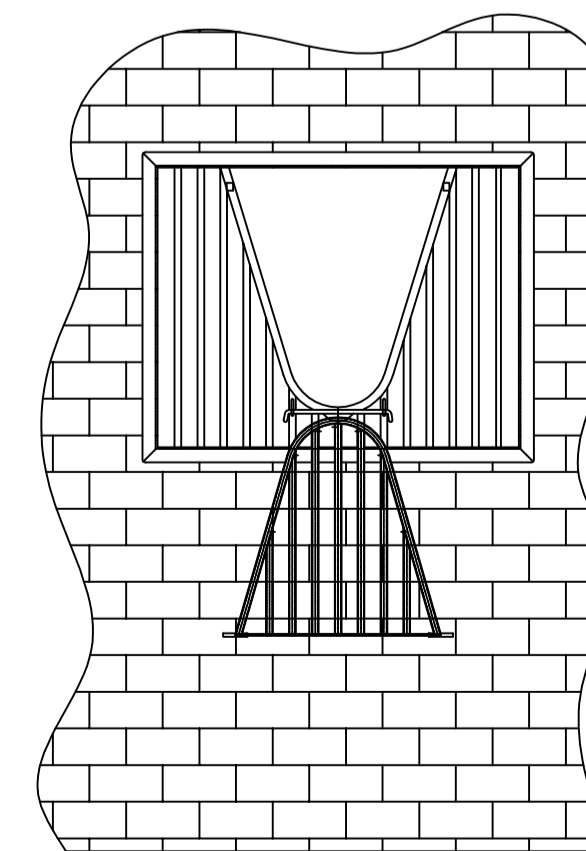
HORIZONTAL BOARD EXTERNAL DOOR WITH EXTENDED FRAME REF RB6



NEWMARKET DOOR WITH TILT/TURN TOP REF RB7



NEWMARKET TILT/TURN WINDOW REF RB8



ANTI WEAVE WINDOW GRILL REF RB9

GENERAL NOTES:

F			
E			
D			
C			
B			
REV.	DESCRIPTION	DATE	SIG.

CLIENT:

MR CHEUNG

TITLE:

**EXTERNAL DOOR & WINDOW RANGE**

DRAWING No: <b>LSL / 3459</b>	ENQUIRY No:	REVISION: <b>A</b>
DRAWN: <b>MBG</b>	DESIGNED:	CHECKED:
SCALE: <b>1:50</b>	PAPER SIZE: <b>A1</b>	DATE OF ISSUE: <b>08/02/10</b>

**LODDON**  
**ENGINEERING**  
BECCLES ROAD, LODDON, NORWICH, NR14 6JJ, TEL: 01508 520744/520747 FAX: 01508 522205

WE RESERVE THE RIGHT TO AMEND PRODUCT SPECIFICATION WITHOUT PRIOR NOTICE